



Ahead of the Curve®

Big mother.



*pictured with Pipe-Mounting Clamp (sold separately)



M880-ETXv2 Enclosed Marine Speaker Systems

The ultimate tower speaker system is one that combines superb sound quality, high output and real marine-grade quality. The M880-ETXv2 checks all those boxes and offers a sonic experience like no other.

Our 7.7-inch marine speakers opened people's ears to the benefits of an oversized loudspeaker in the marine environment... So much so, that the 7.7-inch format is now a standard size. So, we felt it was time to push performance to an entirely new level.

This is why we engineered the M880-ETXv2's massive 8.8-inch coaxial loudspeakers with oversized woofer voice coils and silk dome tweeters; to deliver spectacular performance at all listening levels, from "chilling at the dock" to "full-tilt boogie" at wide open throttle.

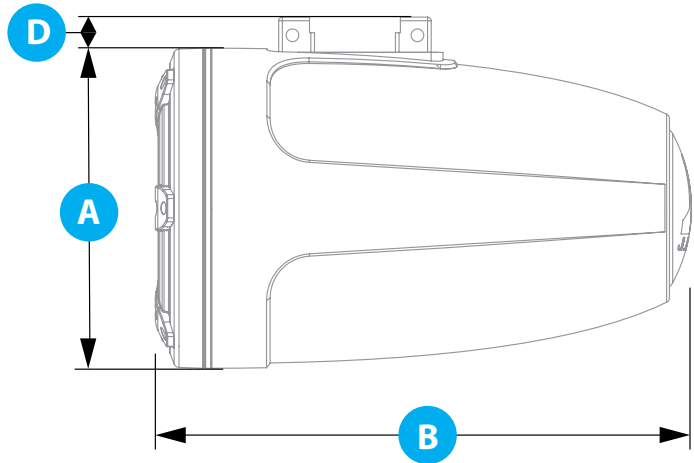
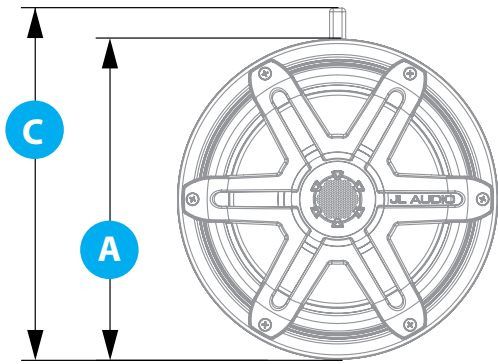
The ETXv2 enclosures are precision-molded from our special marine-grade polymer and feature a decorative, aluminum JL Audio logo cap on the end opposite the speaker. The M880-ETXv2 is available in four great looks, to match a wide range of boat styles. All are designed to mate with one of our precision-machined clamp systems (sold separately and available to fit a wide range of pipe diameters or surface-mount applications).

If you're ready to go big... make that HUGE, with your marine audio system, these are your speakers.

M880-ETXv2 Features:	M880-ETXv2 Specifications:
<p>Truly engineered for marine duty Exceeds marine industry standards for saltwater, salt fog and ultraviolet exposure.</p>	<p>Enclosure Diameter (A): 8.80 in / 224 mm</p>
<p>Legendary JL Audio subwoofer performance Long-excursion, ultra-linear motor and suspension designs deliver bass that will impress you, not only with its sheer level, but even more with its smoothness, balance and precision.</p>	<p>Enclosure Depth (B): 14.73 in / 374 mm</p>
<p>High power handling Designed to benefit from operation with quality amplification, such as the JL Audio marine amplifiers.</p>	<p>Height including Mounting Clamp Receiver* (C): 9.65 in / 245 mm</p>
<p>Four great looks to choose from! Two different grille styles (sport or classic), each available in all-white or a titanium / black color scheme.</p>	<p>Mounting Clamp Receiver / Enclosure Offset (D): 0.854 in / 22 mm</p>
	<p>One-way, Linear Excursion (Xmax)**: 0.375 in / 9.5 mm</p>
	<p>Nominal Impedance: 4 ohm</p>
	<p>Power Handling (continuous): 125 W</p>

* Mounting Clamps Required (Sold Separately)

** Xmax specifications are derived via one-way voice coil overhang method with no correction factors applied.



NOTE: Illustration may not be to scale.



©2014 JL Audio, Inc. • "JL Audio", "Ahead of the Curve" and the JL Audio logo are registered trademarks of JL Audio, Inc. Due to our policy of continuous product development, all specifications are subject to change without notice.

www.jlaudio.com

10369 North Commerce Parkway • Miramar, Florida • 33025 • USA

SKU#97209 12-2013
Printed in U.S.A.